

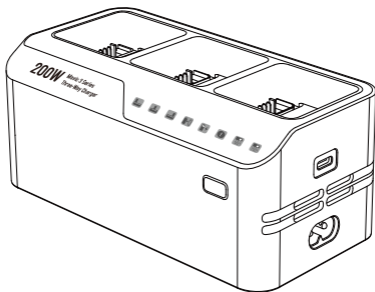
LKTOP

200W Mavic 3

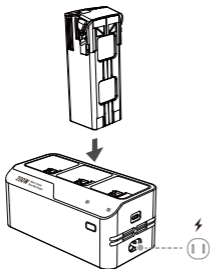
Series Three-Way Charger

User Manual
使用说明

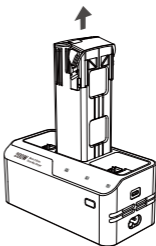
V2.2 2024.04



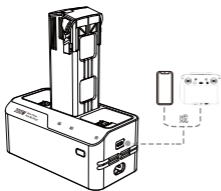
A1



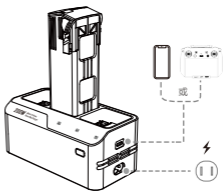
A2



B



C



免责声明

感谢您购买LKTOP 200W Mavic 3系列三通道充电器（以下简称“充电器”）。在使用充电器之前，请仔细阅读本声明，一旦使用本产品，即被视为对本声明全部内容的认可和接受。请严格遵守本说明使用该产品，并务必重视注意事项。因用户不当使用（包括但不限于：为非指定型号的电池充电，使产品短路、发热、进入异物，用手或近端触碰端子等。）充电器而造成的直接或者间接损失与伤害，立刻飞概不负责。

LKTOP为立刻飞所有的注册商标。本文出现的产品名称、品牌等，均为其所属公司的商标或注册商标。本产品及手册为立刻飞版权所有。未经许可，不得以任何形式复制翻印。使用本产品及手册不会追究专利责任。本文档及本产品所有的相关文档最终解释权归立刻飞所有。

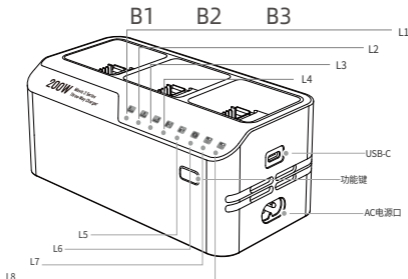
关于不同语言版本的免责声明可能存在差异，中国以中文版为准，其他地区以英文版为准。

产品使用注意事项

- 使用本产品之前，请仔细阅读并遵循本文及本产品相关的所有安全与合规操作指引。
- 请勿在阳光直射、雨淋或者潮湿环境中使用充电器。
- 充电器应远离热源、高压、水、可燃性气体、腐蚀性剂等危险物品。
- 若遇火警，请正确使用干粉灭火器进行灭火，使用液体类灭火器可能会有触电危险。
- 严禁在雷电及雷雨天气中使用充电器。
- 保持充电器内部干燥，切勿进入水、油等液体。
- 进行充电时请勿堵住充电器通风口，保持通风和散热。
- 充电时，请远离可燃物，切勿将充电器或者电池置于地毯上充电。
- 充电器电池接口仅适用于Mavic 3系列电池充电，切勿为其他型号电池充电。
- 使用时请将充电器平稳放置，并注意绝缘及防火。
- 请勿用手或其他物体触碰电池接口的金属端子。若金属端子附着异物，请在电源关闭状态用干布擦拭干净。
- 确保将电池接口对准充电器接口后轻按插入，否则可能导致电池损坏。
- 请勿在充电过程中拔出AC电源线或电池充电线。充电完成后，请及时拔出电池、遥控器、手机等。
- 务必于合适的环境温度使用充电器（建议0℃至40℃）。
- 本产品支持AC或USB-C输入，在使用充电器过程中，禁止AC和USB-C同时作为输入接入使用，在AC输入的情况下，USB-C仅支持输出。
- 移动或搬运充电器时，不要拉扯充电器电源线。
- 充电器AC电源线为2.5A，请确保外接的交流电源电流大于2.5A。
- 使用前，请确保电池接口、充电器接口、电池表面、充电器电池仓表面干燥无水，再将电池插入充电器。
- 禁止以任何方式拆解或损坏充电器。

产品介绍

LKTOP 200W Mavic 3系列三通道充电器是一款集充电器和充电管家于一体的智能充电器，可同时连接3块DJI Mavic 3系列智能飞行电池（BWX-260-5000-15.4）进行充电。充电器的最大输出功率高达200W，支持100%标准模式、95%快充模式及60%存储模式三种充电模式。在为智能飞行电池进行充电时，还可通过USB-C接口为遥控器或手机进行充电，单独连接智能飞行电池时，还可作为充电宝使用。



名称	描述
USB-C	电源输入端或充电输出端，支持PD快充协议
功能键	长按按键2秒以上在存储模式和满充模式之间切换，存储模式下再次长按切换到95%快充模式
AC电源口	AC电源接口

注意事项：充电场景下，USB-C和AC电源口不能同时作为电源输入端口

指示灯名称	描述
指示灯 L1	插入B1电池插口指示灯常亮
指示灯 L2	插入B2电池插口指示灯常亮
指示灯 L3	插入B3电池插口指示灯常亮
指示灯 L4	电池放电时指示灯常亮
指示灯 L5	电池充电时指示灯常亮
指示灯 L6	黄灯闪烁低功率（小于18W）输入提醒 / 红灯闪烁故障警示
指示灯 L7	存储模式指示灯（充电电量约60%）
指示灯 L8	100%标准模式下常亮，95%快充模式下闪烁

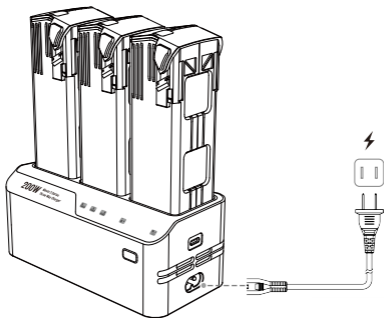
产品使用说明

· 为智能飞行电池充电

本说明书以LKTOP 200W Mavic 3系列三通道充电器和DJI Mavic 3系列电池 (BWX-260-5000-15.4)进行充电示例。DJI Mavic 3系列电池配合充电器使用，最多可连接三块Mavic 3系列智能飞行电池同时进行充电。

· 充电步骤

1. 连接充电器到交流电源（100-240V，50/60Hz；请注意使用规格适配的电源线进行充电，如有需要，请使用电源转换插头）。
2. 在智能飞行电池关闭的状态下，连接电池与充电器。
3. 充电状态下智能飞行电池电量指示灯将会循环闪烁，并指示当前电量。
4. 电量指示灯全部熄灭时表示智能飞行电池已充满，请及时拔出电池，并关闭充电器电源。



- ⚠ · LKTOP 200W Mavic 3系列三通道充电器会智能检测电池电量，优先给剩余电量高的电池进行充电。
· 首个电池充电时间约60-70分钟左右，第二电池约70-80分钟，第三个电池约80-90分钟。

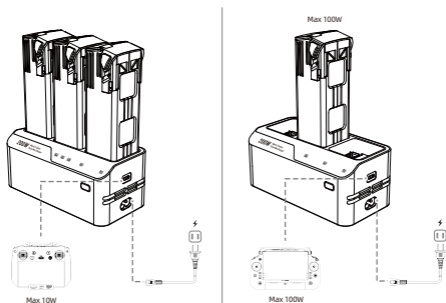
产品使用说明

· 同时连接智能飞行电池和外部设备充电

本说明书以LKTOP 200W Mavic 3系列三通道充电器和DJI Mavic 3系列智能飞行电池(BWX-260-5000-15.4)进行充电示例。DJI Mavic 3系列智能飞行电池配合充电器使用，可连接最多三块DJI Mavic 3系列智能飞行电池同时充电，还可通过USB-C接口连接外接设备(如DJI Mavic 3系列遥控器)进行充电。

· 充电步骤

1. 连接充电器到交流电源(100-240V, 50/60Hz; 请注意使用规格适配的电源线进行充电, 如有需要, 请使用电源转换插头)。
2. 在智能飞行电池关闭的状态下, 将电池、遥控器分别与充电器进行连接。
3. 充电状态下智能飞行电池电量指示灯将会循环闪烁, 并指示当前电量。
4. 等待设备充满电后(智能飞行电池充满时电量指示灯全部熄灭), 请及时拔出相应设备, 并关闭充电器电源。



- △ 使用LKTOP 200W Mavic 3三通道充电器进行一块电池充电时, USB-C接口可提供最大100W的功率输出。
- 使用LKTOP 200W Mavic 3三通道充电器进行三块电池充电时, USB-C接口可提供最大10W的功率输出。(随着电池电量的充满, USB-C接口的输出功率会逐渐增大, 直到最大100W)

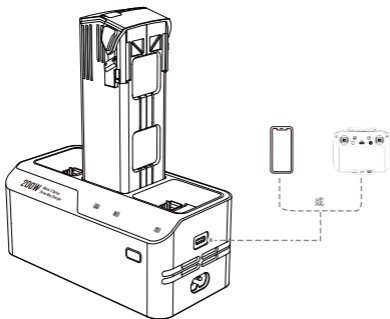
产品使用说明

· 将智能飞行电池作为移动电源使用为外接设备充电

本说明书以LKTOP 200W Mavic 3系列三通道充电器和DJI Mavic 3系列电池 (BWX-260-5000-15.4)进行放电示例。在不连接充电器的情况下，插入Mavic 3系列智能飞行电池，先开启智能飞行电池开关，再连接外接设备至USB-C接口即可为外接设备充电。

· 放电步骤

1. 插入智能飞行电池至充电器。
2. 开启智能飞行电池开关，放电指示灯L4常亮。
3. 连接外接设备至USB-C接口，即可为外接设备充电。
4. 充满电请及时拔出电池、遥控器和其他外接设备。



- ⚠ · 使用LKTOP 200W Mavic 3三通道充电器将智能飞行电池作为移动电源使用为外接设备充电时，USB-C接口最高可提供100W的功率输出。
- 不当作充电宝对外充电时，一定要关闭智能电池开关，并取下电池。（短按电池开关一次，再长按电池开关2秒以上，即可开启/关闭智能飞行电池。）

产品USB-C输出口适配产品

产品名称	功率/描述
DJI RC Pro遥控器	Max 30W
DJI RC Pro Plus遥控器	Max 100W
DJI RC 遥控器	Max 15W
DJI N1 遥控器	Max 10W
手机	支持PD协议、支持部分手机
平板电脑	支持PD协议、支持部分平板

产品规格参数

产品型号:	MC336	
适用电池型号:	DJI Mavic 3系列电池 (BWX-260-5000-15.4)	
工作温度:	5-40°C	
AC输入电压:	100V-240V ~2.5A 50Hz/60Hz 230W	
USB-C输入:	9V=3A; 12V=3A; 15V=3A; 20V=5A	
USB-C输出:	5V=2A; 9V=3A; 12V=3A; 15V=3A; 20V=5A	
	PPS: 3.3V-21V=5A	
充电功率:	100W Max (单个电池)/200W Max (多个电池)	
产品尺寸:	约151×75×60 mm (产品主机)	
包装尺寸:	约88×83×160mm	
产品重量:	475g ±10% (不包含线材重量)	
充电时间:	95%快充模式:	100%标准模式:
	首个电池约40-45分钟左右	首个电池约60-70分钟左右
	二个电池约60-65分钟左右	二个电池约70-80分钟左右
	三个电池约60-65分钟左右	三个电池约80-90分钟左右

* 充电时间均为实验环境下 (室温25°C情况下) 测得, 仅供参考。

Disclaimer

Thank you for purchasing the LKTOP 200W Mavic 3 Series Three-Way Charger (hereafter referred to as the "Charger"). Before using the charger, please read this statement carefully, once you use this product, it is deemed to recognize and accept the entire content of this statement. Please use the product completely following these instructions and be sure to pay attention to precautions. Due to improper use by the user (including but not limited to: charging a battery of a non-specified model, short-circuiting the product, heating up, entering objects, touching the terminal with the hand or proximal end, etc.). We shall not be liable for any direct or indirect damage or injury caused by the charger.

LKTOP is a registered trademark of LIKI. The product names, brands, and all other appearing in this article are trademarks or registered trademarks of the companies to which they belong. This product and manual are copyrighted by LIKI. Reproduction in any form may not be made without permission. Use of this product and manual does not entail patent liability. The final interpretation right of this document and all related documents of this product belongs to LIKI.

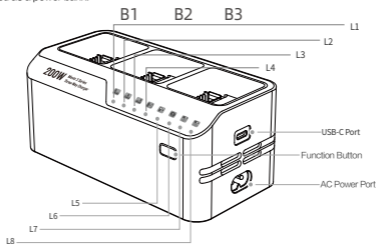
Regarding the disclaimer, there may be differences between the different language versions. The Chinese version shall prevail in China, while the English version shall prevail in other regions.

Product use precautions

- Please read and follow all safety and compliance guidelines related to this document and the product before using it.
- Do not use the charger in direct sunlight, rain, or humid environments.
- Keep the charger away from heat sources, high voltage, water, flammable gases, corrosive substances, and other hazardous materials.
- In the event of a fire, use a dry powder fire extinguisher for proper firefighting; using a liquid fire extinguisher may pose an electric shock hazard.
- Using the charger during thunderstorms or lightning is strictly prohibited.
- Keep the interior of the charger dry and prevent any liquids such as water or oil from entering.
- Do not block the charger's ventilation ports during charging; ensure proper ventilation and heat dissipation.
- During charging, keep away from combustible materials, and do not charge the charger or batteries on carpets.
- The charger's battery interface is only intended for charging Mavic 3 series batteries; do not charge batteries of other models.
- Place the charger on a stable surface during use and pay attention to insulation and fire prevention.
- Do not touch the metal terminals of the battery interface with hands or other objects. If foreign objects are attached to the metal terminals, wipe them clean with a dry cloth while the power is off.
- Ensure proper alignment of the battery interface with the charger interface before gently pressing and inserting it; failure to do so may damage the battery.
- Do not unplug the AC power cord or battery charging cable during the charging process. After charging is complete, promptly remove the battery, remote controller, phone, etc.
- Always use the charger within the appropriate environmental temperature range (recommended 0°C to 40°C).
- This product supports AC or USB-C input. During the use of the charger, it is prohibited to use both AC and USB-C as input inputs. In the case of AC input, USB-C only supports output.
- When moving or transporting the charger, do not pull on the power cord.
- The AC power cord for the charger is rated at 2.5A; ensure that the current rating of the external AC power supply is greater than 2.5A.
- Before inserting the battery into the charger, ensure that the battery interface, charger interface, battery surface, and charger battery compartment surface are dry and free of moisture.
- It is strictly prohibited to disassemble or damage the charger.

Product Introduction

The LKTOP 200W Mavic 3 Series Three-Way Charger is an intelligent charger that integrates the charger and charging Hub. It can simultaneously connect three DJI Mavic 3 series intelligent flight batteries (BWX-260-5000-15.4) for charging. The maximum output power of the charger is up to 200W, and it supports three charging modes: 100% standard mode, 95% fast charging mode, and 60% storage mode. When charging the intelligent flight battery, the USB-C interface can also be used to charge the remote control or phone. When connecting the intelligent flight battery separately, it can also be used as a power bank.



Name	Description
USB-C Port	Power input terminal or charging output terminal, supporting PD fast charging protocol
Function Button	Long press the button for more than 2 seconds to switch between storage mode and full charge mode. In storage mode, long press the function button for more than 2 seconds to switch to 95% fast charging mode.
AC Power Port	AC power interface

Note: In charging scenarios, USB-C and AC power ports cannot be used as power input ports at the same time.

Indicator Name	Description
Indicator Light L1	Steady light when B1 battery is inserted
Indicator Light L2	Steady light when B2 battery is inserted
Indicator Light L3	Steady light when B3 battery is inserted
Indicator Light L4	Steady light when the battery is discharging
Indicator Light L5	Steady light when the battery is charging
Indicator Light L6	A flashing yellow light indicates a low power (less than 18W) input reminder. A flashing red light indicates a fault warning
Indicator Light L7	Storage mode indicator light (approximately 60% charge)
Indicator Light L8	Always on in 100% standard mode, flashing in 95% fast charging mode

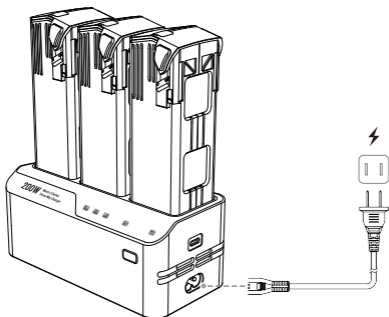
Product Usage Instructions

• Charge intelligent flight batteries

This manual provides charging examples using the LKTOP 200W Mavic 3 Series Three-Way Charger and DJI Mavic 3 Series batteries (BWX-260-5000-15.4). When using the battery charger, you can charge up to three DJI Mavic 3 Series intelligent flight batteries simultaneously.

• Charging procedure

1. Connect the charger to an AC power source (100–240V, 50/60Hz). Please use a power cord that is compatible with the specifications. If needed, use a power adapter.
2. With the intelligent flight battery turned off, connect the battery to the charger.
3. During the charging process, the battery level indicator lights on the intelligent flight battery will flash in a cycle and indicate the current battery level.
4. When all the battery level indicator lights are turned off, it means that the intelligent flight battery is fully charged. Please promptly remove the battery and turn off the charger's power.



- ⚠
- The LKTOP 200W Mavic 3 Series Three-Way Charger will intelligently detect the battery level and prioritize charging the remaining high battery.
 - The charging time of the first battery is about 60–70 minutes, the second battery is about 70–80 minutes, and the third battery is about 80–90 minutes.

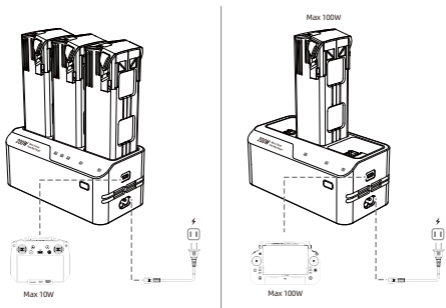
Product Usage Instructions

• Connect the intelligent flight battery to an external device for charging

This manual uses the LKTOP 200W Mavic 3 Series Three-Way Charger and DJI Mavic 3 series intelligent flight battery (BWX-260-5000-15.4) as charging examples. The DJI Mavic 3 series intelligent flight battery can be used with a charger to connect up to three DJI Mavic 3 series intelligent flight batteries for simultaneous charging. It can also be connected to external devices (such as the DJI Mavic 3 series remote controller) through the USB-C interface for charging.

• Charging procedure

1. Connect the charger to an AC power source (100–240V, 50/60Hz). Please use a power cord that is compatible with the charging specifications. If necessary, use a power adapter.
2. When the intelligent flight battery is turned off, connect the battery and remote controller to the charger separately.
3. During the charging process, the battery's power indicator will flash in a cycle and indicate the current battery level.
4. After waiting for the device to fully charge (when the intelligent flight battery is fully charged, the battery indicator lights will all turn off), please unplug the corresponding device in a timely manner and turn off the charger power.



- ⚠ · When using the LKTOP 200W Mavic 3 Series Three-Way Charger to charge a single battery, the USB-C port can provide a maximum power output of 100W.
- When using the LKTOP 200W Mavic 3 Series Three-Way Charger to charge three batteries, the USB-C port can provide a maximum power output of 10W. (As the battery charge level approaches full, the power output of the USB-C port will gradually increase, up to a maximum of 100W.)

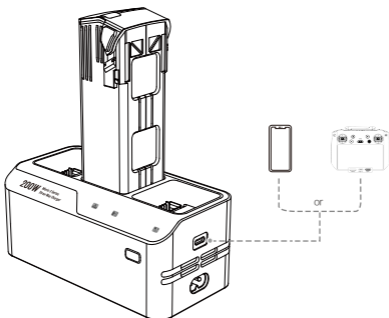
Product Usage Instructions

· Use the intelligent flight battery as a mobile power source to charge external devices

This manual provides discharging examples using the LKTOP 200W Mavic 3 Series Three-Way Charger and DJI Mavic 3 Series Batteries (BWX-260-5000-15.4). To discharge the battery without connecting the charger, insert the Mavic 3 Series intelligent flight battery. First, turn on the intelligent flight battery switch, and then connect the external device to the USB-C port to charge the external device.

· Discharge procedure

1. Insert the intelligent flight battery into the charger.
2. Turn on the intelligent flight battery switch, and the discharge indicator light L4 remains on.
3. Connect the external device to the USB-C port to charge the external device.
4. Once the battery, remote controller, and other external devices are fully charged, please promptly remove them from the charger.



- When using the LKTOP 200W Mavic 3 Series Three-Way Charger to use the intelligent flight battery as a power bank to charge external devices, the USB-C interface can provide a maximum power output of 100W.
- When not charging externally as a rechargeable battery, be sure to turn off the smart battery switch and unplug the battery. (Short press the battery switch once, then long press the battery switch for more than 2 seconds to turn on/off the intelligent flight battery.)

USB-C Output Port Compatible Products

Product Names	Power/Description
DJI RC Pro Remote Controller	Max 30W
DJI RC Pro Plus Remote Controller	Max 100W
DJI RC Remote Controller	Max 15W
DJI N1 Remote Controller	Max 10W
Mobile Phone	Supports PD protocol and some mobile phones
Tablet PC	Support PD protocol and support some tablets

Product Specifications

Model	MC336
Compatible Battery Model	DJI Mavic 3 Series batteries (BWX-260-5000-15.4)
Operating Temperature	41° to 104° F (5° to 40°C)
AC Input Voltage	100V-240V ~ 2.5A 50Hz/60Hz 230W
USB-C Input	9V=3A; 12V=3A; 15V=3A; 20V=5A
USB-C Output	5V=2A; 9V=3A; 12V=3A; 15V=3A; 20V=5A PPS: 3.3V-21V=5A
Charging Power	100W Max (for a single battery)/200W Max (for multiple batteries)
Product Dimensions	About 151 × 75 × 60 mm (product host)
Package Dimensions	About 88 × 83 × 160mm
Product Weight	475g ± 10% (excluding cable weight)
Charging Time	95% fast charging mode: 100% standard mode: 1 battery: about 40-45 min 1 battery: about 60-70 min 2 batteries: about 60-65 min 2 batteries: about 70-80 min 3 batteries: about 60-65 min 3 batteries: about 80-90 min

*The charging time was tested in a lab environment at room temperature (25°C) and should be taken as reference only.

WE ARE HERE FOR YOU

在线技术支持



Scan Wechat
Obtain Technical Support
微信扫一扫 获取技术支持



Scan Wechat
Follow LKTOP Official Account
微信扫一扫 关注LKTOP公众号

本手册如有更新,恕不另行通知。

您可以在LKTOP官方网站查询最新版本
<https://www.lktop.cn>

如果您对说明书有任何疑问或建议,请通过以下电子邮箱联系我们:
service@lktop.cn

LKTOP 是立刻飞的商标。

Copyright © 2024立刻飞版权所有