

LKTOP

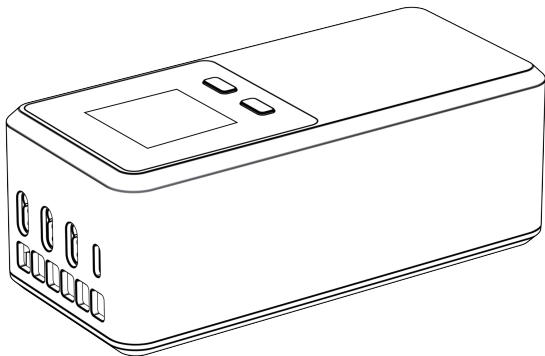
200W 三通道智能充电器 (简易多充)

200W Three-Way Smart Charger (Multi-Charger)

User Manual

用户手册

(V1.0) 2025.01



免责声明

感谢您购买LKTOP 200W 三通道智能充电器(简易多充), (以下简称“充电器”)。在使用充电器之前, 请仔细阅读本产品声明, 一旦使用本产品, 即被视为对本声明全部内容的认可和接受。请严格遵守本说明使用该产品, 并务必重视注意事项。因用户使用不当充电器(包括但不限于: 为非指定型号的电池充电, 使产品短路、发热、进入异物, 用手触碰端子等)而造成的直接或者间接损失与伤害, 立刻飞概不负责。

LKTOP为立刻飞所有的注册商标。本文出现的产品名称、品牌等, 均为其所属公司的商标或注册商标。本产品及其手册为立刻飞版权所有。未经许可, 不得以任何形式复制翻印。使用本产品及其手册不会追究专利责任。本文档及本产品所有的相关文档最终解释权归立刻飞所有。

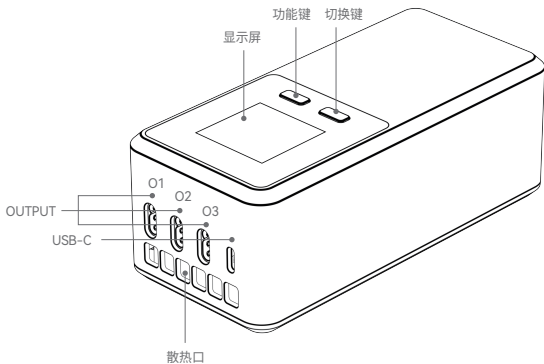
关于不同语言版本的免责声明可能存在差异, 中国以中文版为准, 其他地区以英文版为准。

注意事项

- 使用本产品之前, 请仔细阅读并遵循本文及本产品相关的所有安全与合规操作指引。
- 请勿在阳光直射、雨淋或者潮湿环境中使用充电器。
- 充电器应远离热源、高压、水、可燃性气体、腐蚀性剂等危险物品。
- 若遇火警, 请正确使用干粉灭火器进行灭火, 使用液体类灭火器可能会有触电危险。
- 严禁在雷电及雷雨天气中使用充电器。
- 保持充电器内部干燥, 切勿进入水、油等液体。
- 进行充电时请勿堵住充电器通风口, 保持通风和散热。
- 充电时, 请远离可燃物, 切勿将充电器或者电池置于地毯上充电。
- 使用时请将充电器平稳放置, 并注意绝缘及防火。
- 请勿用手或其他物体触碰电池接口的金属端子。若金属端子附着异物, 请在电源关闭状态用干布擦拭干净。
- 确保将电池接口对准充电器接口后轻按插入, 否则可能导致电池损坏。
- 请勿在充电过程中拔出AC电源线或电池充电线。充电完成后, 请及时拔出电池、遥控器、手机等。
- 务必于合适的环境温度使用充电器(建议5°C至40°C)。
- 本产品支持AC输入, USB-C仅在AC输入的前提下支持输出。
- 移动或搬运充电器时, 不要拉扯充电器电源线。
- 充电器AC电源线为2.5A, 请确保外接的交流电源电流大于2.5A。
- 使用前, 请确保电池接口、充电器接口、电池表面干燥无水, 再将电池连接充电器。
- 禁止以任何方式拆解或损坏充电器。

产品介绍

LKTOP 200W 三通道智能充电器(简易多充)可以同时给3块智能飞行电池和支持USB-C口的遥控器同时充电。充电器的最大输出功率高达200W；内置散热风扇可主动散热；支持100%满充模式、100%静音模式、及60%存储模式三种充电模式；同时支持手机APP连接进行固件升级，给无人机用户带来更方便快捷的充电体验。



O1/O2/O3	<p>电池充电接口</p> <p>根据线材适配不同的电池（本文以DJI Matrice 4 系列电池为例）</p>
USB-C	支持USB-C PD协议的遥控器或手机等其他设备充电接口
显示屏	<p>显示电压、电量、温度、循环次数等信息</p> <p>长按3秒以上功能键+切换键屏幕旋转</p>
切换键	<p>短按：模式选择（满充/静音/存储模式）</p> <p>长按3秒以上：提示音开启/关闭</p>
功能键	<p>短按：确认当前选择</p> <p>长按3秒以上：进入菜单模式</p>

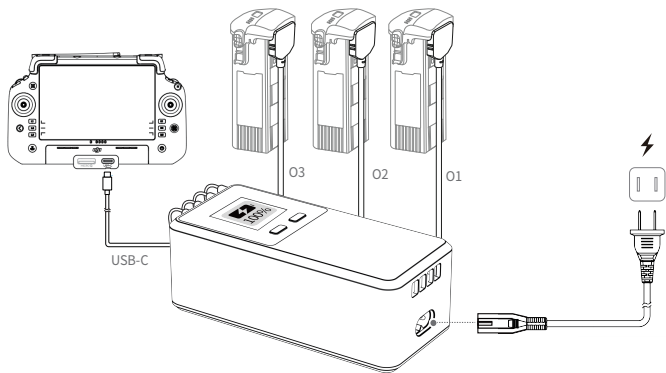
产品使用说明

·为智能飞行电池充电

本说明书以LKTOP 200W 三通道智能充电器(简易多充)配合智能飞行电池进行充电示例。智能飞行电池配合充电器使用,最多可连接三块智能飞行电池同时进行充电。

·充满模式(100%)充电步骤

1. 在智能飞行电池关闭的状态下,将电池、遥控器分别与充电器连接。
2. 连接充电器到交流电源(100-240V, 50/60Hz;请注意使用规格适配的电源线进行充电,如有需要,请使用电源转换插头)。
3. 充电状态下智能飞行电池电量指示灯将会循环闪烁,显示屏指示当前电池电量。
4. 等待设备充满电后(智能飞行电池充满时电量指示灯全部熄灭),请及时拔出相应设备,并关闭充电器电源。




△ ·LKTOP 200W 三通道智能充电器(简易多充)会智能检测电池电量,优先给电量高的电池分配较高的功率充电,其他两个电池智能分配剩余功率,动态调整各个电池功率,确保充电速度更快。插拔电池后会再次智能检测电池电量,重新分配功率。

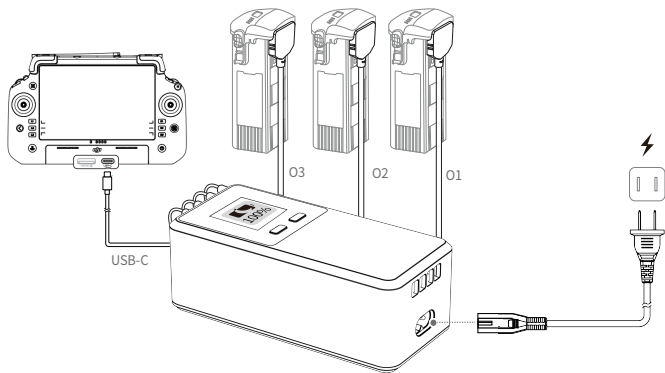
·USB-C输出功率在三个电池充电的时候,优先电池充电,先分配最大10W功率,随着电池电量的充满,USB-C接口的输出功率会逐渐增大,直到最大36W。

产品使用说明

·为智能飞行电池充电

·静音模式(100%)充电步骤

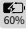
1. 在智能飞行电池关闭的状态下,将电池、遥控器分别与充电器连接。
2. 连接充电器到交流电源(100-240V, 50/60Hz; 请注意使用规格适配的电源线进行充电, 如有需要, 请使用电源转换插头)。
3. 长按功能键3秒以上, 短按切换键, 选择“ 100%”按功能键进入静音模式。
4. 等待设备充满电后(智能飞行电池充满时电量指示灯全部熄灭), 请及时拔出相应设备, 并关闭充电器电源。

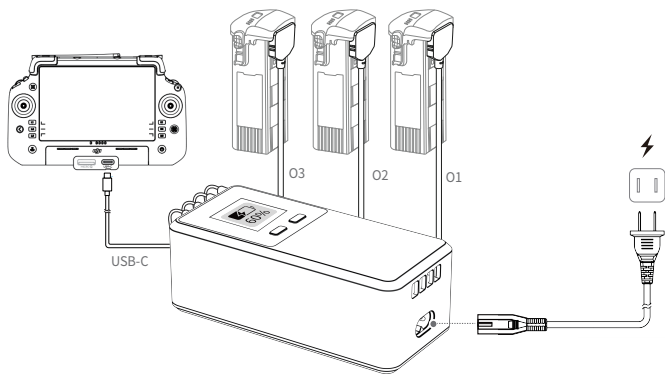


- ⚠ ·静音模式下,降低了散热风扇的旋转速度,大大降低声音,能更好的满足夜间充电需求。
·该模式下最大输出功率100W, 充电时间会有所延长。

产品使用说明

·存储模式充电步骤



1. 在智能飞行电池关闭的状态下，将电池、遥控器分别与充电器连接。
2. 连接充电器到交流电源(100-240V, 50/60Hz; 请注意使用规格适配的电源线进行充电, 如有需要, 请使用电源转换插头)。
3. 长按功能键3秒以上, 开机界面短按切换键选择“ 60%”按功能键进入存储模式。
4. 全部电池达到60%左右电量后, 请及时拔出相应设备, 并关闭充电器电源。



- △ · 充电器的存储模式设定为电池电量的60%左右, 充电到电池电量的60%左右会停止充电达到存储效果。
· 存储模式: 低于60%电量电池充到60%停止, 高于60%电量电池不充电。

产品使用说明

·APP操作步骤

- 1.扫描右侧二维码下载“Polying”APP。
- 2.插入AC电源线,充电器连接电池,连接充电器到交流电源(100-240V, 50/60Hz)。
- 3.打开“Polying”APP并登录,点击右上角的+(请添加相对应APP图标 )。将手机靠近运行的设备后,开始连接手机(连接前请确保手机蓝牙在开启状态,需要注意提示信息,可以按照界面提示单击按键选择绑定或取消绑定)。
- 4.连接手机过程中,轻触触摸开关,选择绑定。
- 5.点击图标  ,进入该设备界面APP,操作需要的功能(APP可以实时查看充电参数,调整模式)。
- 6.固件可以实时升级。



更多信息请关注

LKTOP官网: WWW.LKTOP.CN

产品规格参数

产品名称:	LKTOP 200W 三通道智能充电器(简易多充)
产品型号:	UC342
适用电池型号:	2S - 4S无人机智能飞行电池(具体以我们陆续发布的支持清单为准)
工作温度:	5°C - 40°C
AC输入电压:	100V - 240V~2.5A 50Hz/60Hz 230W
USB-C输出:	5V==3A, 9V==3A, 12V==3A, 15V==2.4A, 20V==1.8A 36W Max
充电功率:	180W Max(单个电池)/200W Max(多个电池)
产品尺寸:	约138 x 64 x 52 mm(产品主机)
显示屏尺寸:	1.5寸 IPS 广视角屏
产品重量:	380g±10%(不包含线材重量)
包装尺寸:	155 x 130 x 60 mm
充电时间:	充满模式下(充电至100%) 首个电池50分钟左右 二个电池85分钟左右 三个电池95分钟左右 充电时间根据取决于电池型号(以DJI Matrice 4系列电池)

*180W是充电器单通道支持的最大功率,而实际充电功率取决于电池是否支持。充电时间于实验室25°C环境下测试所得,仅供参考。

PS:本页面所示重量/尺寸信息均为手工测量,仅供参考。实际数据可能会因个体差异环境变化,或产品不同批次、迭代等原因造成变化,具体以实物为准。

Disclaimers

Thank you for purchasing the LKTOP 200W Three-Way Smart Charger (Multi-Charger), (hereinafter referred to as the "charger"). Before using the charger, please read this statement carefully. Once using this product, it is considered as recognition and acceptance of all the contents of this statement. Please strictly follow these instructions when using this product, and be sure to pay attention to the precautions. LKF is not responsible for any direct or indirect losses or injuries caused by improper use of the charger by the user (including but not limited to: charging batteries of non specified models, causing short circuits, heating, foreign objects entering the product, touching terminals with hands, etc).

LKTOP is a registered trademark of LKF Co., Ltd.(hereinafter referred to as the "LKF"). The product names and brands mentioned in this article are trademarks or registered trademarks of their respective companies. This product and manual are copyrighted by LKF. Without permission, no reproduction or reproduction is allowed in any form. The use of this product and manual will not be subject to patent liability, and the final interpretation rights of this document and all related documents of this product belong to LKF.

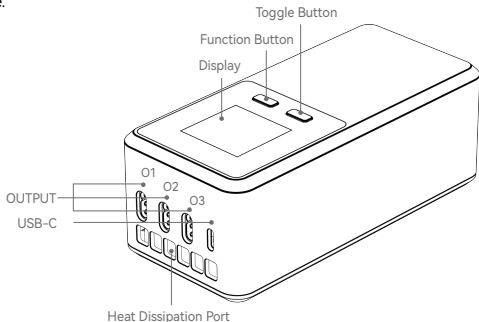
There may be differences in disclaimers for different language versions. The Chinese version shall prevail in China, and the English version shall prevail in other regions.

Precautions for product use

- Before using this product, please carefully read and follow all safety and compliance operating instructions related to this article and this product.
- Do not use the charger in direct sunlight, rain, or humid environments.
- The charger should be kept away from hazardous materials such as heat sources, high voltage, water, flammable gases, and corrosive agents.
- In case of a fire alarm, please use dry powder fire extinguishers correctly to extinguish the fire. Using liquid fire extinguishers may pose a risk of electric shock.
- It is strictly prohibited to use chargers during thunderstorms and thunderstorm weather.
- Keep the inside of the charger dry and do not allow water, oil, or other liquids to enter.
- Do not block the charger vent during charging to maintain ventilation and heat dissipation.
- When charging, please stay away from flammable materials and do not place the charger or battery on the carpet for charging.
- Please place the charger steadily and pay attention to insulation and fire prevention when using it.
- Do not touch the metal terminals of the battery interface with your hands or other objects. If foreign objects are attached to the metal terminals, please wipe them clean with a dry cloth when the power is turned off.
- Make sure to align the battery interface with the charger interface and gently insert it, otherwise it may cause battery damage.
- Do not unplug the AC power cord or battery charging cable during the charging process. After charging is complete, please unplug the battery, remote control, phone, etc. in a timely manner.
- Be sure to use the charger at the appropriate ambient temperature (recommended 5 °C to 40 °C).
- This product supports AC input, and USB-C only supports output on the premise of AC input.
- Do not pull or tug on the power cord of the charger when moving or transporting it.
- The charger's AC power cord is 2.5A, please ensure that the external AC power current is greater than 2.5A.
- Before use, please ensure that the battery interface, charger interface, and battery surface are dry and free of water before connecting the battery to the charger.
- Do not disassemble or damage the charger in any way.

Product Introduction

The LKTOP 200W Three-Way Smart Charger (Multi-Charger) can simultaneously charge 3 intelligent flight batteries and a remote controller with a USB-C port. The maximum output power of the charger is up to 200W. The built-in cooling fan can actively dissipate heat; Supports three charging modes: 100% full charge mode, 100% silent mode, and 60% storage mode. Simultaneously supporting firmware upgrades through mobile app connections, providing drone users with a more convenient and efficient charging experience.



O1/O2/O3	Battery charging interface Adapt different batteries according to the wire (This article takes DJI Matrice 4 series batteries as an example)
USB-C	Charging interface for remote control or other devices such as mobile phones that support USB-C PD protocol
Display	Display information such as voltage, battery level, temperature, and number of cycles. Press and hold the function Button+switch Button for more than 3 seconds to rotate the screen
Toggle Button	Short press: mode selection (Full Charge/Silent/Storage Mode) Long press for more than 3 seconds: prompt sound on/off
Function Button	Short press: Confirm current selection Long press for more than 3 seconds to enter menu mode

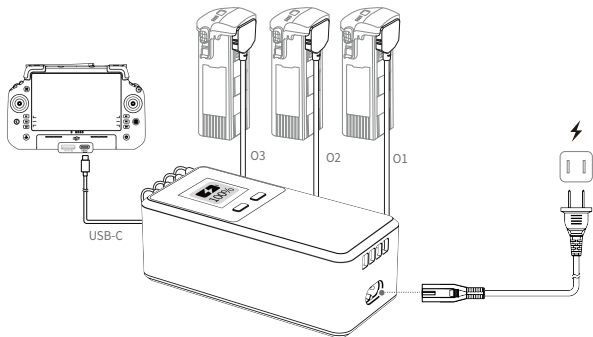
Product Instructions

· Charging the intelligent flight battery

This manual uses the LKTOP 200W Three-Way Smart Charger(Multi-Charger) in conjunction with an intelligent flight battery for charging examples. The intelligent flight battery can be used in conjunction with a charger to connect up to three intelligent flight batteries for simultaneous charging.

· Full charge mode (100%) charging steps

1. Connect the battery and remote controller to the charger separately while the intelligent flight battery is turned off.
2. Connect the charger to an AC power source (100-240V, 50/60Hz); please use a power cord that is compatible with the specifications for charging. If necessary, please use Power conversion plug).
3. The intelligent flight battery level indicator light will flash repeatedly while charging, and the display screen will indicate the current battery level.
4. After the device is fully charged (when the smart flight battery is fully charged, the battery indicator light will all turn off), please unplug the corresponding device in a timely manner and turn off the charger power.

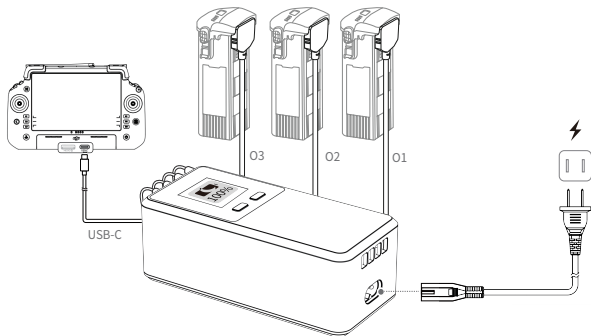


- ⚠ The LKTOP 200W Three-Way Smart Charger(Multi-Charger) will intelligently detect the battery level and allocate higher power to the high battery for charging, while intelligently allocating remaining power to the other two batteries and dynamically adjusting the power of each battery to ensure faster charging speed. After plugging and unplugging the battery, it will intelligently detect the battery level again and redistribute power.
- When charging three batteries, the USB-C output power prioritizes battery charging and allocates a maximum of 10W power. As the battery is fully charged, the output power of the USB-C interface gradually increases until it reaches a maximum of 36W.

· Charging the intelligent flight battery


· Silent mode (100%) charging steps

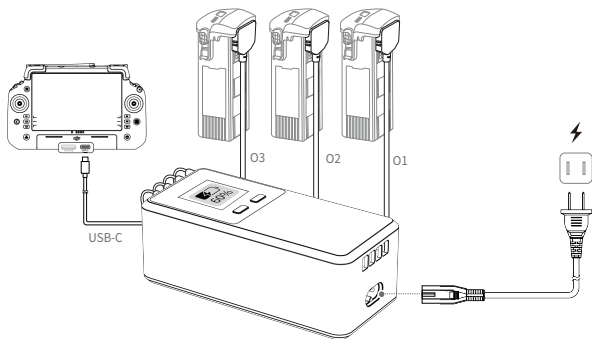
1. Connect the battery and remote controller to the charger separately while the intelligent flight battery is turned off.
2. Connect the charger to an AC power source (100-240V, 50/60Hz); please use a power cord that is compatible with the specifications for charging. If necessary, please use Power conversion plug).
3. Long press the function Button for more than 3 seconds, short press the switch key, select "100%" and press the function key to enter the silent mode.
4. When the power indicator light stops flashing, it indicates that the smart flight battery is fully charged. Please unplug the corresponding device in a timely manner and turn off the charger power.



- ⚠ · In silent mode, the rotation speed of the cooling fan is reduced, greatly reducing the sound and better meeting the charging needs at night.
- The maximum output power in this mode is 100W, and the charging time will be extended.

· Storage mode charging steps



1. Connect the battery and remote controller to the charger separately while the intelligent flight battery is turned off.
2. Connect the charger to an AC power source (100-240V, 50/60Hz); please use a power cord that is compatible with the specifications for charging. If necessary, please use Power conversion plug).
3. Long press the function Button for more than 3 seconds, then short press the switch button on the startup interface to select "  ". Press the function key to enter storage mode.
4. After all batteries reach the storage mode capacity, please promptly unplug the corresponding device and turn off the charger power.



- ⚠ · The storage mode of the charger is set to about 60% of the battery power, and charging will stop when the battery power reaches about 60% to achieve the storage effect.
- Storage mode: When the battery is below 60%, it stops charging until it reaches 60%, and when the battery is above 60%, it does not charge.

Product Instructions

· APP operation steps

1. Scan the QR code on the right to download the "Polying" app.
2. Insert the AC power cord, connect the charger to the battery, and connect the charger to an AC power source (100-240V, 50/60Hz).
3. Open the "Polying" app and log in, click on the + icon in the upper right corner (please add the corresponding app icon ). After bringing the phone close to the running device, start connecting the phone (please ensure that the Bluetooth of the phone is turned on before connecting, and pay attention to the prompt message. You can click the button according to the interface prompt to select binding or unbinding).
4. During the process of connecting the phone, lightly touch the touch switch and select 'bind'.
5. Click on the icon  to enter the device interface APP and operate the required functions (the APP can view charging parameters in real time and adjust modes).
6. The firmware can be upgraded in real-time.



For more information, please follow
LKTOP official website: WWW.LKTOP.CN

Product specifications and parameters

Product Name: LKTOP 200W Three-Way Smart Charger (Multi-Charger)

Product Model: UC342

Applicable Battery Model: 2S - 4S drone battery
(Please refer to the support list we have released one after another for specific details)

Working Temperature: 5°C- 40°C

AC Input Voltage: 100V-240V~2.5A 50Hz/60Hz 230W

Product specifications and parameters

USB-C Output: 5V===3A, 9V===3A, 12V===3A, 15V===2.4A, 20V===1.8A 36W Max

Charging Power: 180W Max (Single battery) / 200W Max (Multiple batteries)

Product Size: Approximately 138 x 64 x 52 mm (product host)

Display Screen Size: 1.5-inch IPS wide viewing angle screen

Product Weight: 380g ± 10% (excluding wire weight)

Packaging Size: 155 x 130 x 60 mm

Charging Time: In full charge mode (charging to 100%)
The first battery takes about 50 minutes
Two batteries for about 85 minutes
Three batteries for about 95 minutes
The charging time depends on the battery model
(Using DJI Mtrice 4 Series Batteries)

*180W is the maximum power supported by a single channel charger, and the actual charging power depends on whether the battery supports it. The charging time was tested in a laboratory environment at 25 ° C and is for reference only.

PS: The weight/size information shown on this page is manually measured and is for reference only. Actual data may vary due to individual differences, environmental changes, or product batches, iterations, and other reasons. Please refer to the actual product for details.

WE ARE HERE FOR YOU

在线技术支持



Scan Wechat
Obtain Technical Support
微信扫一扫 获取技术支持



Scan Wechat
Follow LKTOP Official Account
微信扫一扫 关注LKTOP公众号

This manual is subject to updates without prior notice.
本手册如有更新,恕不另行通知。

You can check the latest version on the LKTOP official website
您可以在LKTOP官方网站查询最新版本
<https://www.lktop.cn>

If you have any questions or suggestions about the manual,
please contact us via the following email:

如果您对说明书有任何疑问或建议,请通过以下电子邮箱联系我们:

service@lktop.cn

LKTOP is a trademark of LKF.

LKTOP 是立刻飞的商标。

Copyright © 2025立刻飞版权所有